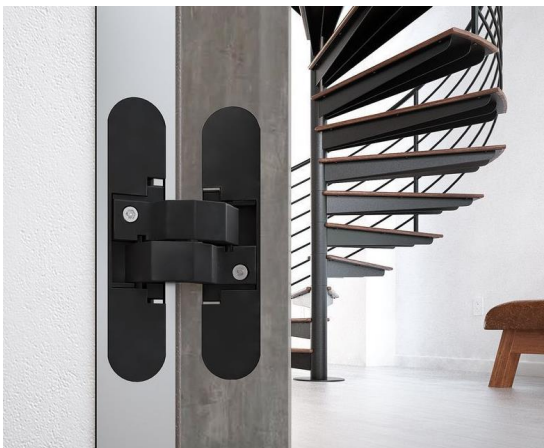




oneplane® FS1



Description

oneplane® FS1 consists of a “hidden” aluminum corner frame, for any wall thicknesses and pressed wooden door leaf, available in a variety of surface finishes, such as natural and artificial veneers, special veneers, 3D material, lacquer matte and gloss, as well as just a primed surface to be painted on site with any technique or coated with wallpaper.

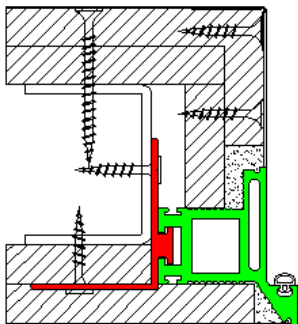
The specific door system offers co-planarity with the outside surface of the wall, while still opening inside, or vice versa, apart from normal openings, being ideal for incorporating with its surroundings. The system is equipped in its standard version with magnetic lock and 3 hidden hinges with 3-way adjustability.



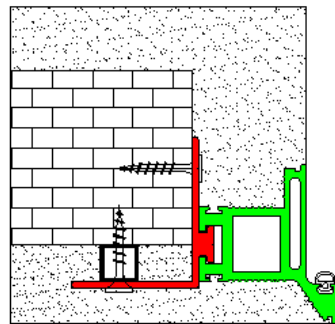
1. Installation

Installation on plasterboard wall and brick wall, opening inside and outside.

OPENING INSIDE

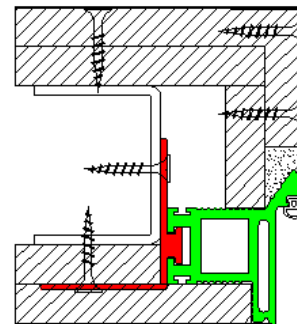


Plasterboard wall

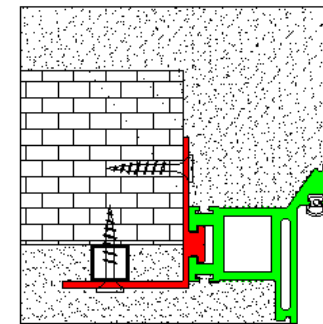


Brick wall

OPENING OUTSIDE



Plasterboard wall



Brick wall

2. Dimensions & Finishes

Dimensions

	WIDTH (mm)	HEIGHT (mm)	WALL THICKNESS
Standard	600 – 900	2150	any
Maximum	1050	4000	any

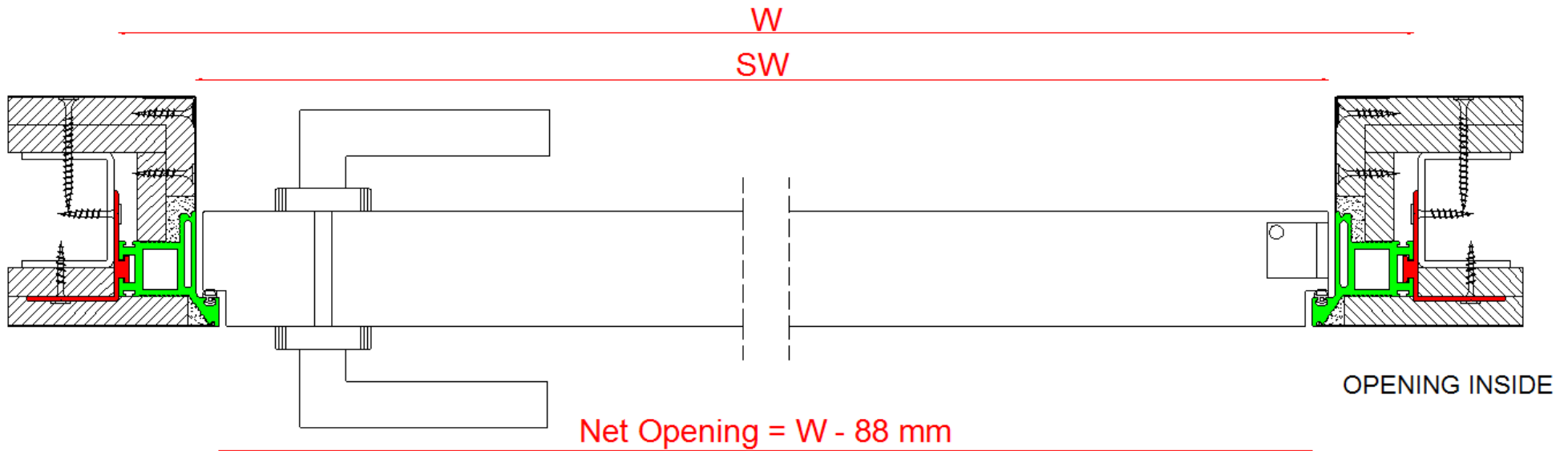
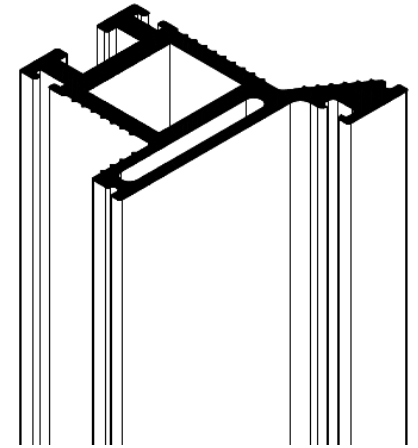
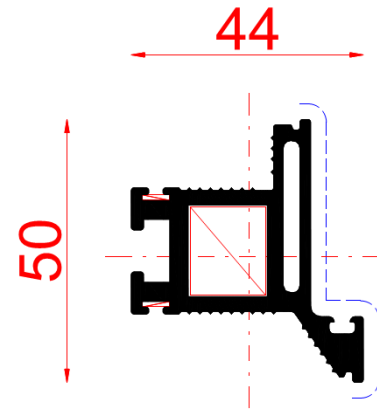
Finishes

FRAME	LEAF
White matt lacquer	<ul style="list-style-type: none"> ▪ Lacquer Matt ▪ Lacquer Gloss ▪ Natural Veneer (Oak, Walnut, etc) ▪ Cement finishes

3. Details - Frame

Corner Aluminium frame consisting of:

- Primary frame which carries the door-leaf
- Grooved surfaces for plaster or mortar enhanced bonding
- Cushioning rubber gasket



4. Details - Leaf

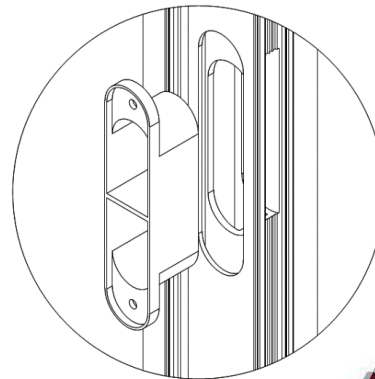
- Pressed door-leaf with special resin processed honeycomb insert. Instead tubular particle board may be used for core insert.
- Internal framework constructed by use of white hardwood with cross-sectional dimensions of 37X32 mm, and reinforcement on the vertical elements of the leaf with tropical hardwood. Moisture levels of hardwood, 10-12%.
- Reinforcement at lock point by means of white hardwood with cross-sectional dimensions of 37X32 mm.
- Door leaf thickness ≈ 50 mm.
- Door leaf coated with 4mm thick MDF, suitable for internal use.

5. Accessories

MAGNETIC LOCK



CONCEALED HINGE SYSTEM



CONCEALED HINGE



6. Surface finishes

- LACQUER:



MATT

GLOSS



IN ANY RAL FROM OUR RAL COLORBOOK